

The Farmer's Wife 1930s Sampler Quilt

Inspiring Letters From Farm Women of the Great Depression and 99 Quilt Blocks That Honor Them

By Laurie Aaron Hird



ISBN 13: 978-1-4402-4146-8

ISBN 10: 1-4402-4146-5

Page 162

Cutting List #3E, cut 4, should be cut 2

Page 224

Cutting List #65F, cut 4, should be cut 1

Page 266

Subtitle reworded. There are 99 block designs in the book and 99 block designs in the quilt, not 94

CD CORRECTIONS

The following corrections have been made to the CD. Corrected PDFs are included in the following pages.

FW1930sSQ_Templates_03_Alice.pdf

Sizing on templates has been corrected (affects all template pieces)

FW1930sSQ_Templates_15_Blossom.pdf

Sizing on template piece 15A has been corrected.

FW1930sSQ_Templates_26_Daffodil.pdf

Correction to labels on 26I and 26N

FW1930sSQ_Templates_64_Monette.pdf

Corrections to sizing on templates

FW1930sSQ_Templates_66_MrsAnderson.pdf

Corrections to sizing on templates

FW1930sSQ_Templates_SettingTriangleA.pdf

In some printings, this template was not included. It is included here.

FW1930sSQ_Templates_SettingTriangleB.pdf

In some printings, this template was not included. It is included here.

FW1930sSQ_Diagram_2_Aimee

Adjusted size of diagram

FW1930sSQ_Diagram_3_Alice

Adjusted size of diagram

FW1930sSQ_Diagram_10_Ava

Adjusted size of diagram

FW1930sSQ_Diagram_21_Carrie

Adjusted size of diagram

FW1930sSQ_Diagram_64_Monette.pdf

Adjusted size of diagram

FW1930sSQ_Diagram_66_MrsAnderson.pdf

Adjusted size of diagram

FW1930sSQ_Diagram_89_Ruby

Adjusted size of diagram

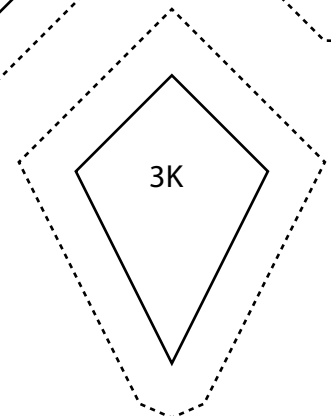
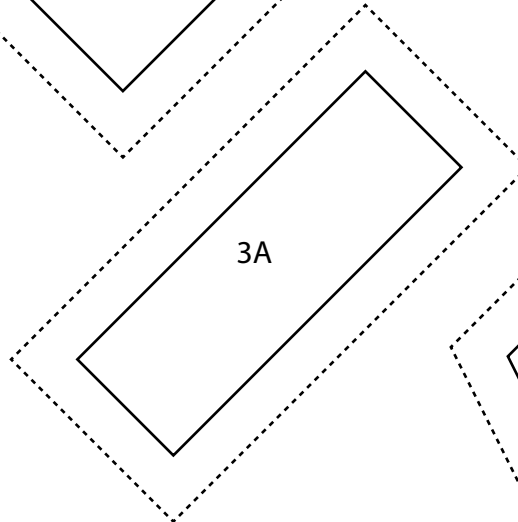
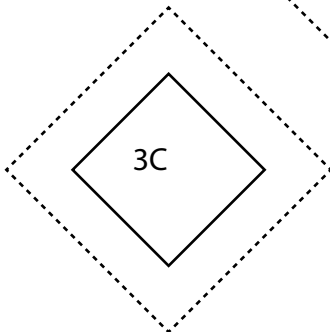
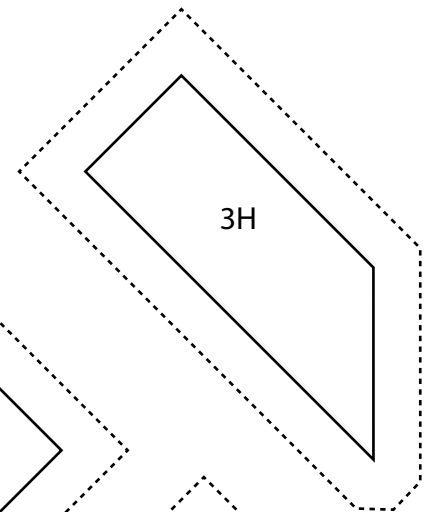
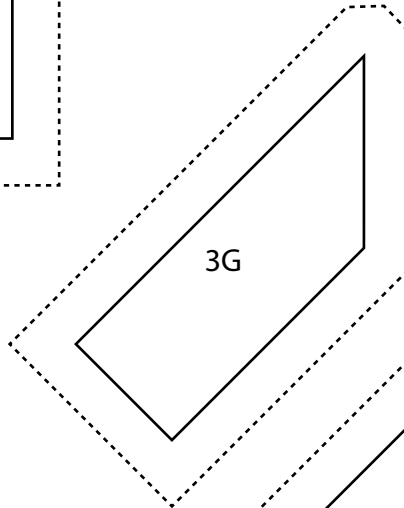
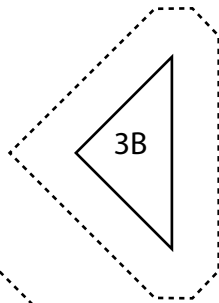
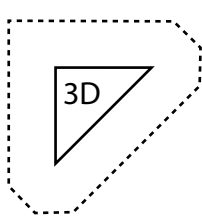
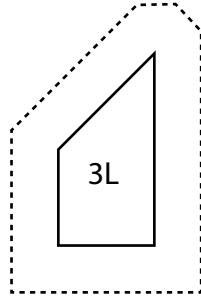
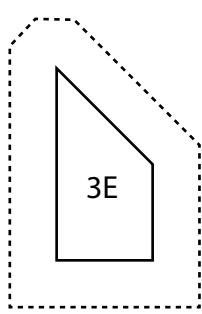
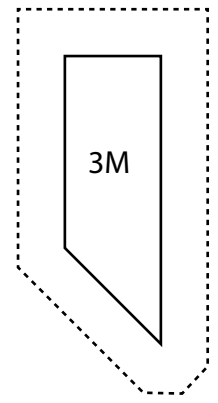
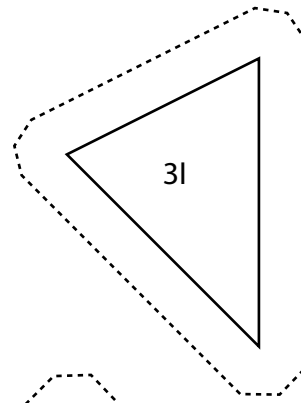
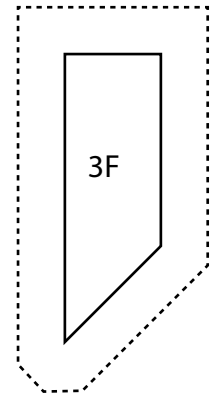
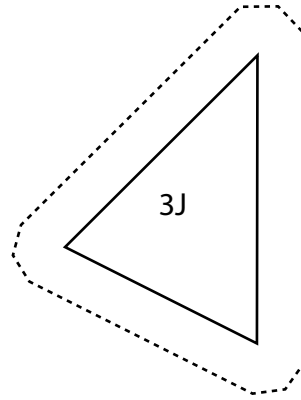
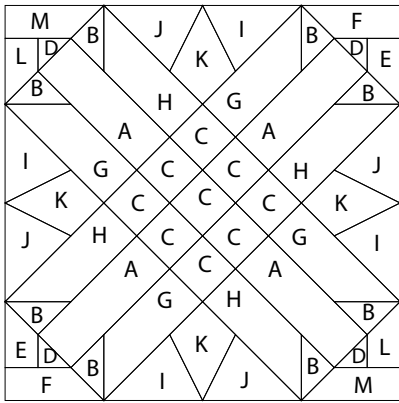
A Note About Paper Piecing

When using the paper piecing patterns, you'll need to reverse the patterns for any blocks that are not symmetrical.

FW1930sSF_RotaryCutting_Instructions.pdf

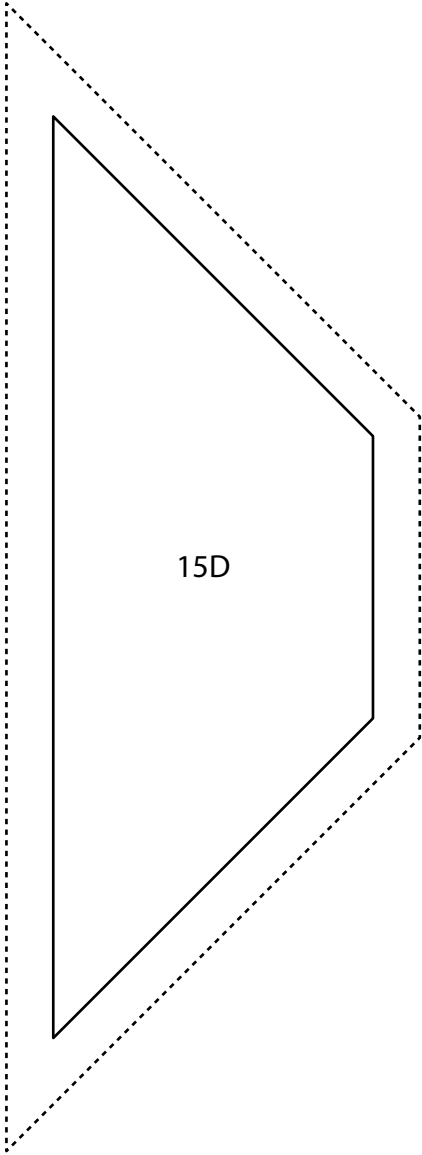
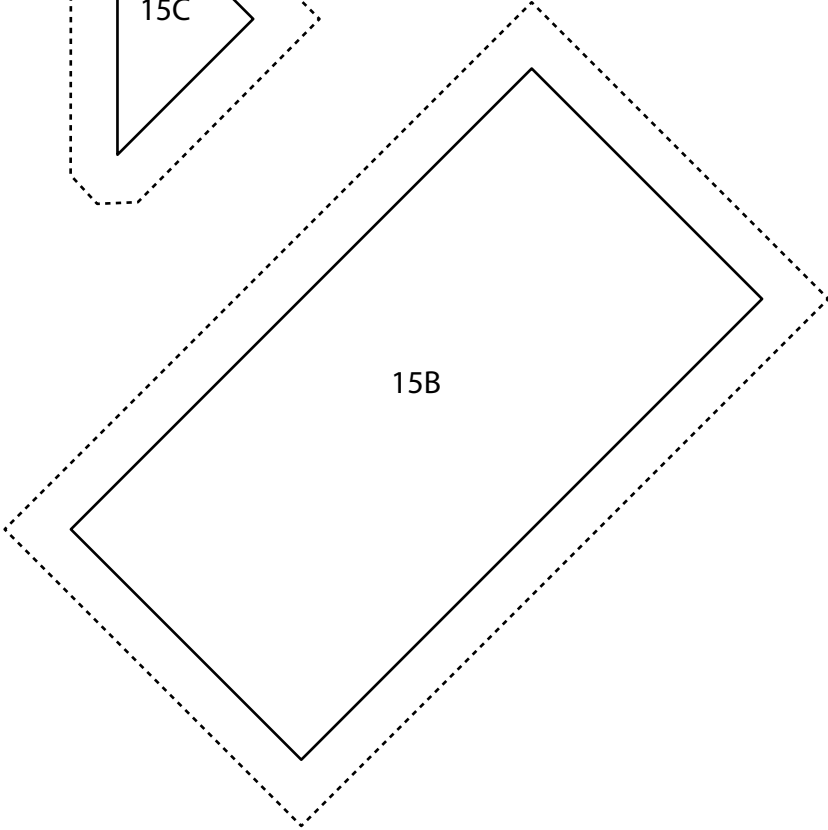
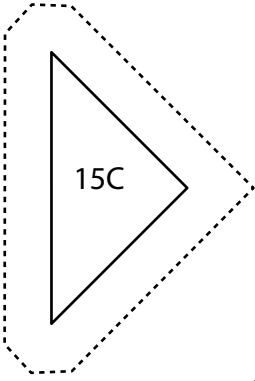
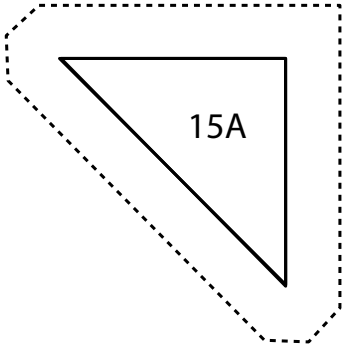
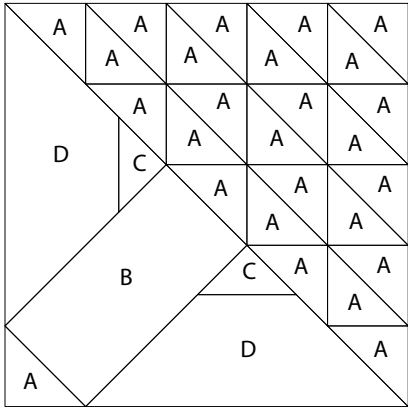
Belle and Carolina have been corrected

3 Alice



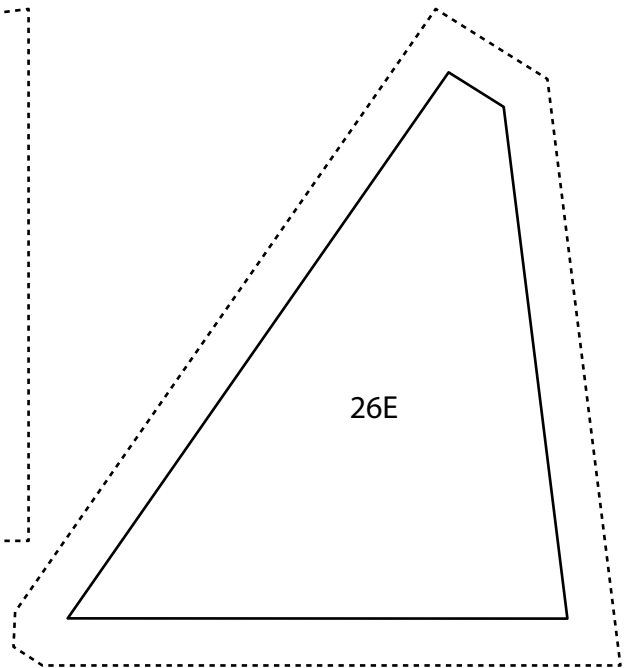
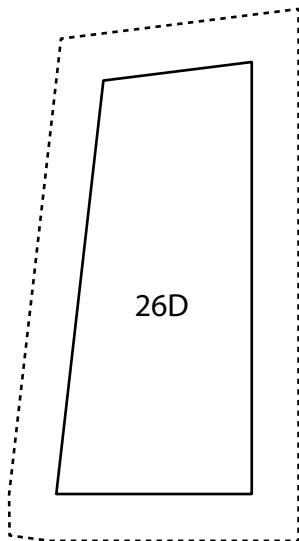
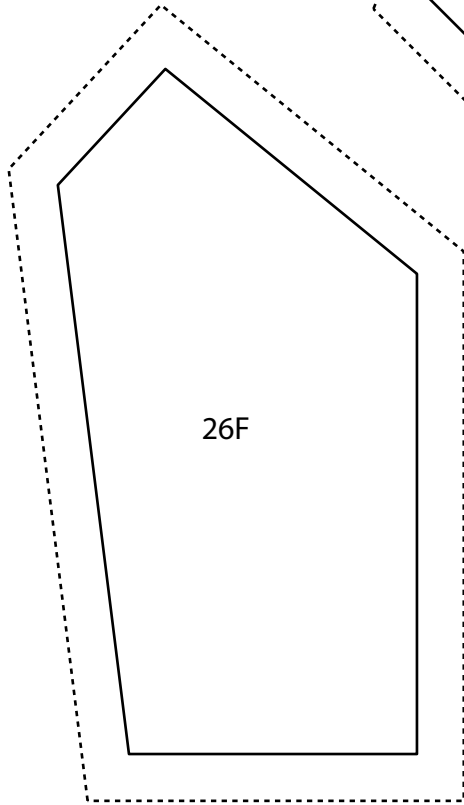
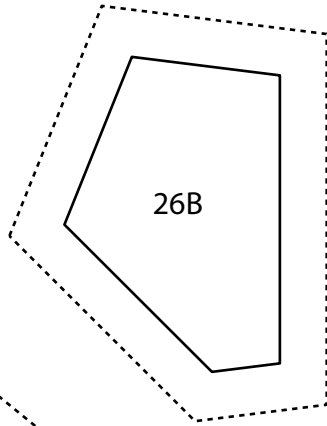
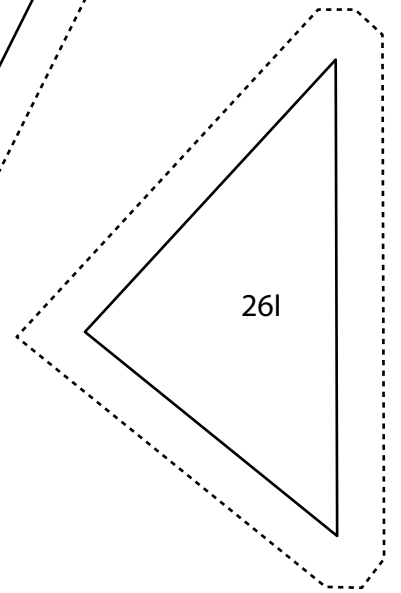
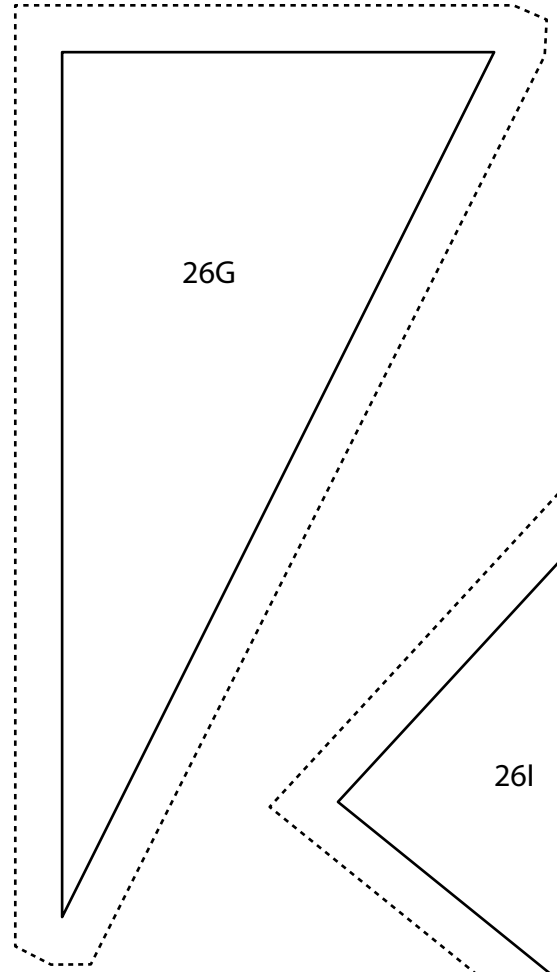
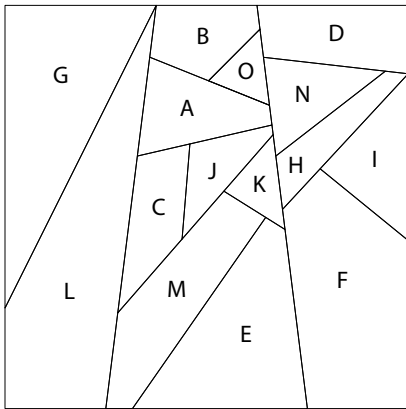
1 inch
2.5cm

15 Blossom

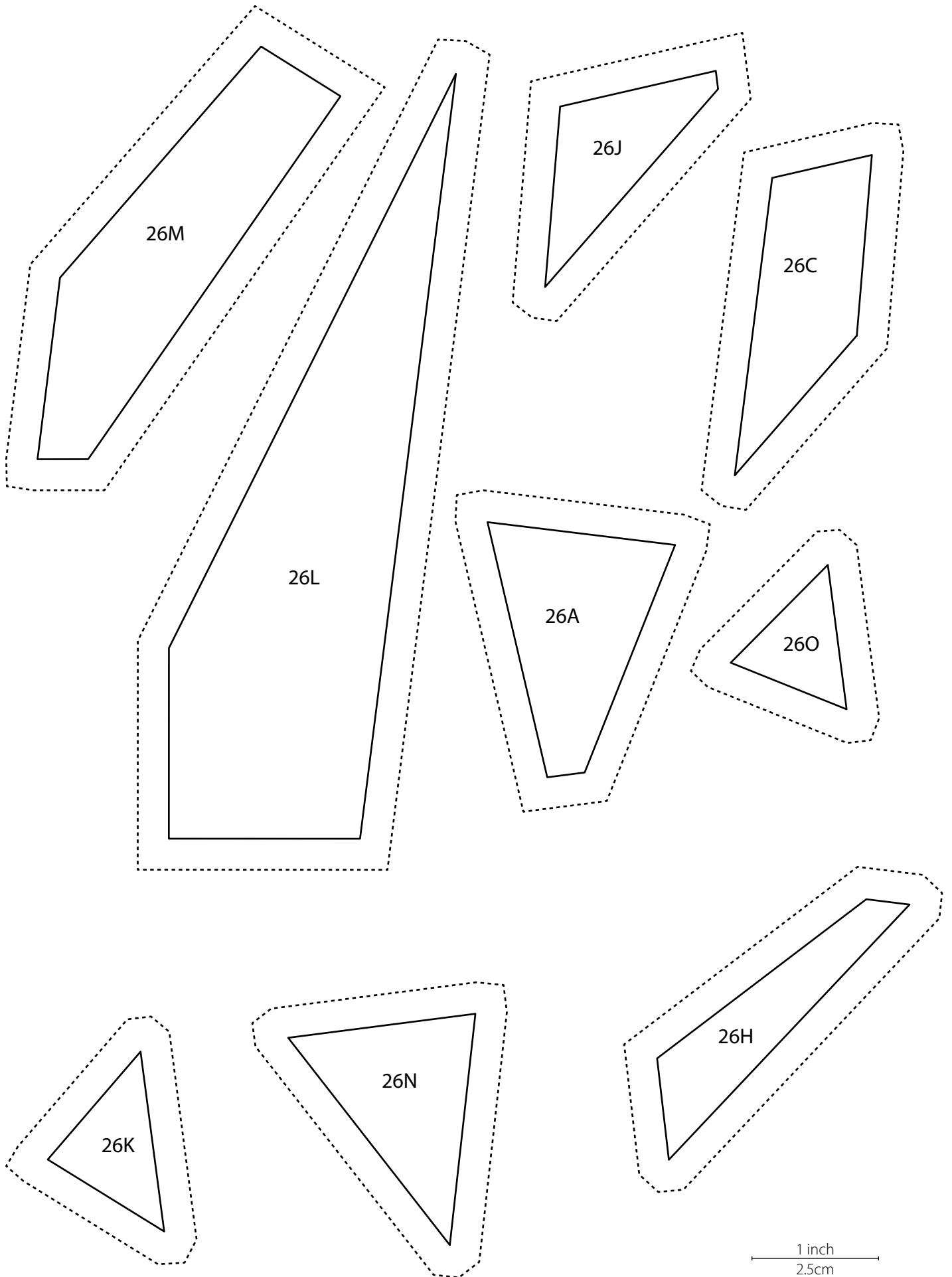


1 inch
2.5cm

26 *Daffodil*



1 inch
2.5cm



26M

26J

26C

26L

26A

26O

26K

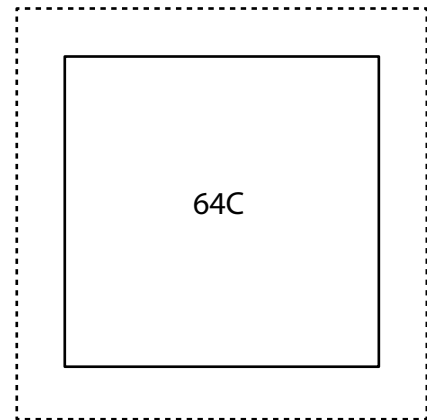
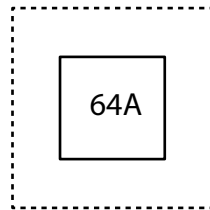
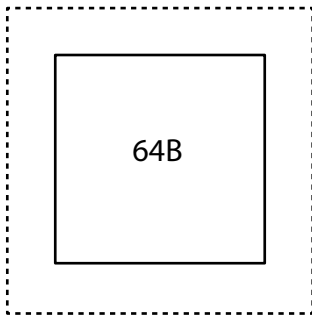
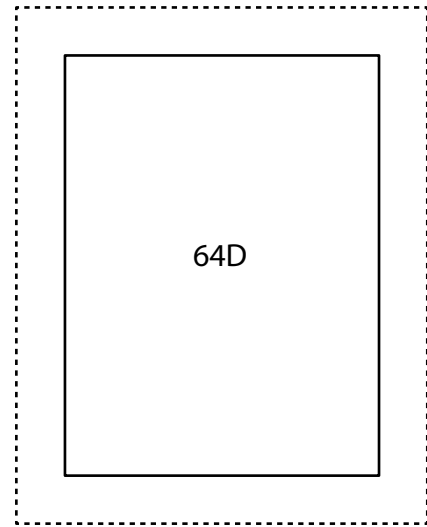
26N

26H

1 inch
2.5cm

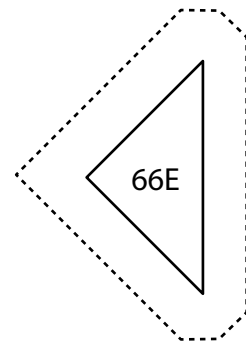
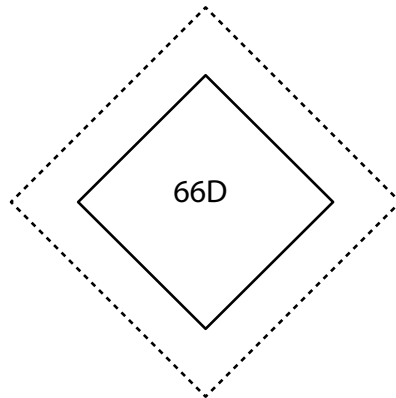
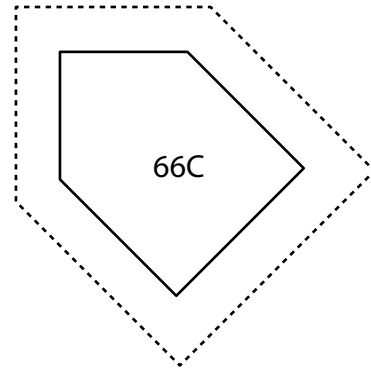
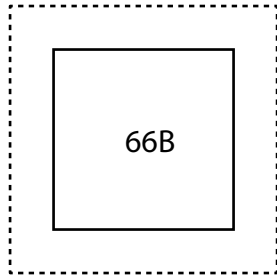
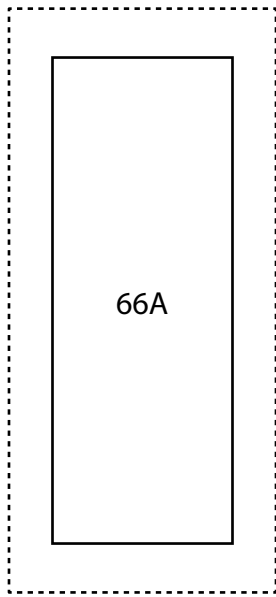
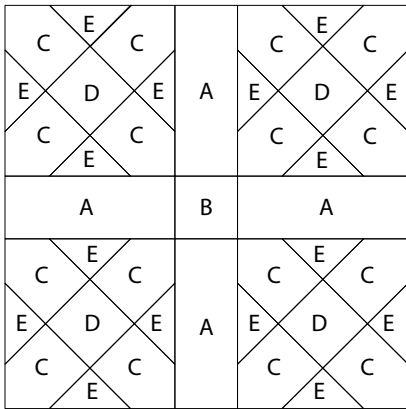
64 Monette

A	A	A	A	D	A	A	A	A
A	B		A		A	B		A
A	A		A		A	A		A
A	A	A	A		A	A	A	A
D				C	D			
A	A	A	A	D	A	A	A	A
A	B		A		A	B		A
A	A		A		A	A		A
A	A	A	A		A	A	A	A



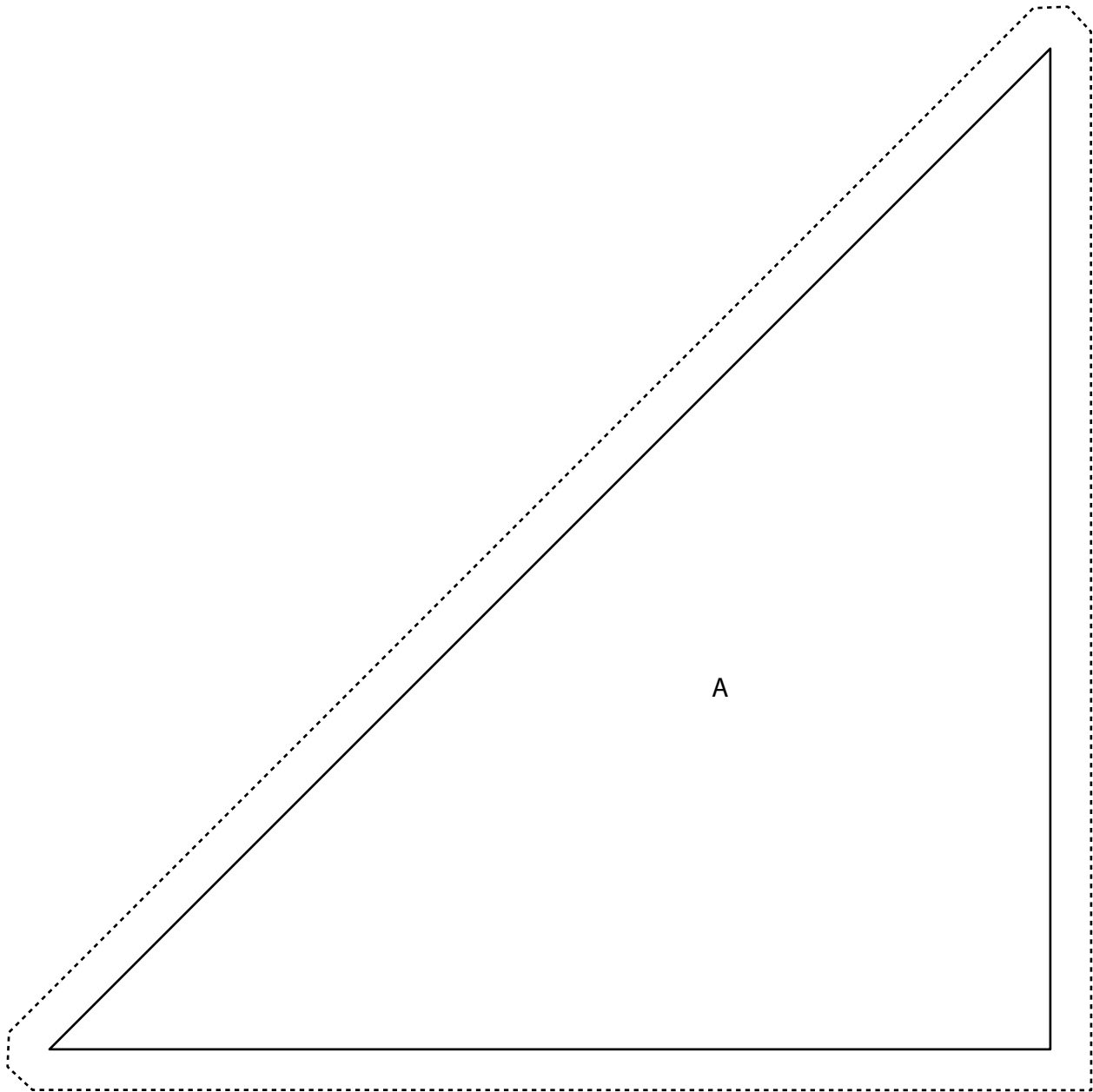
1 inch
2.5cm

66 Mrs. Anderson



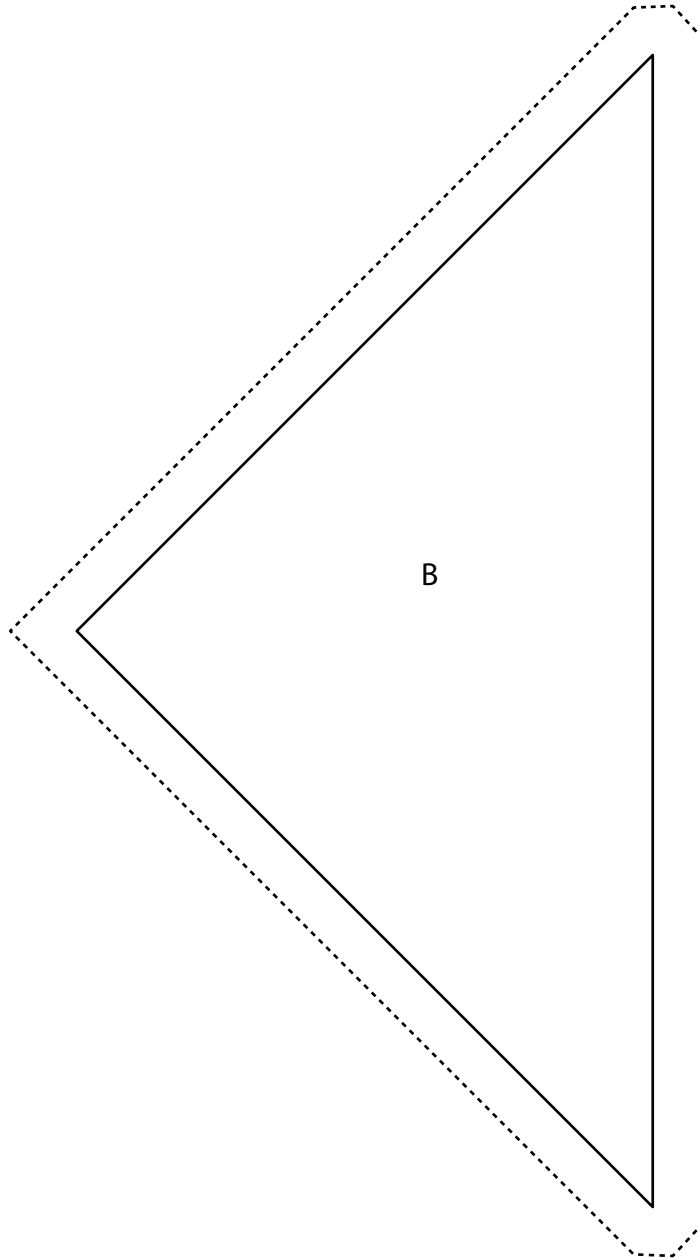
1 inch
2.5cm

Setting Triangle A



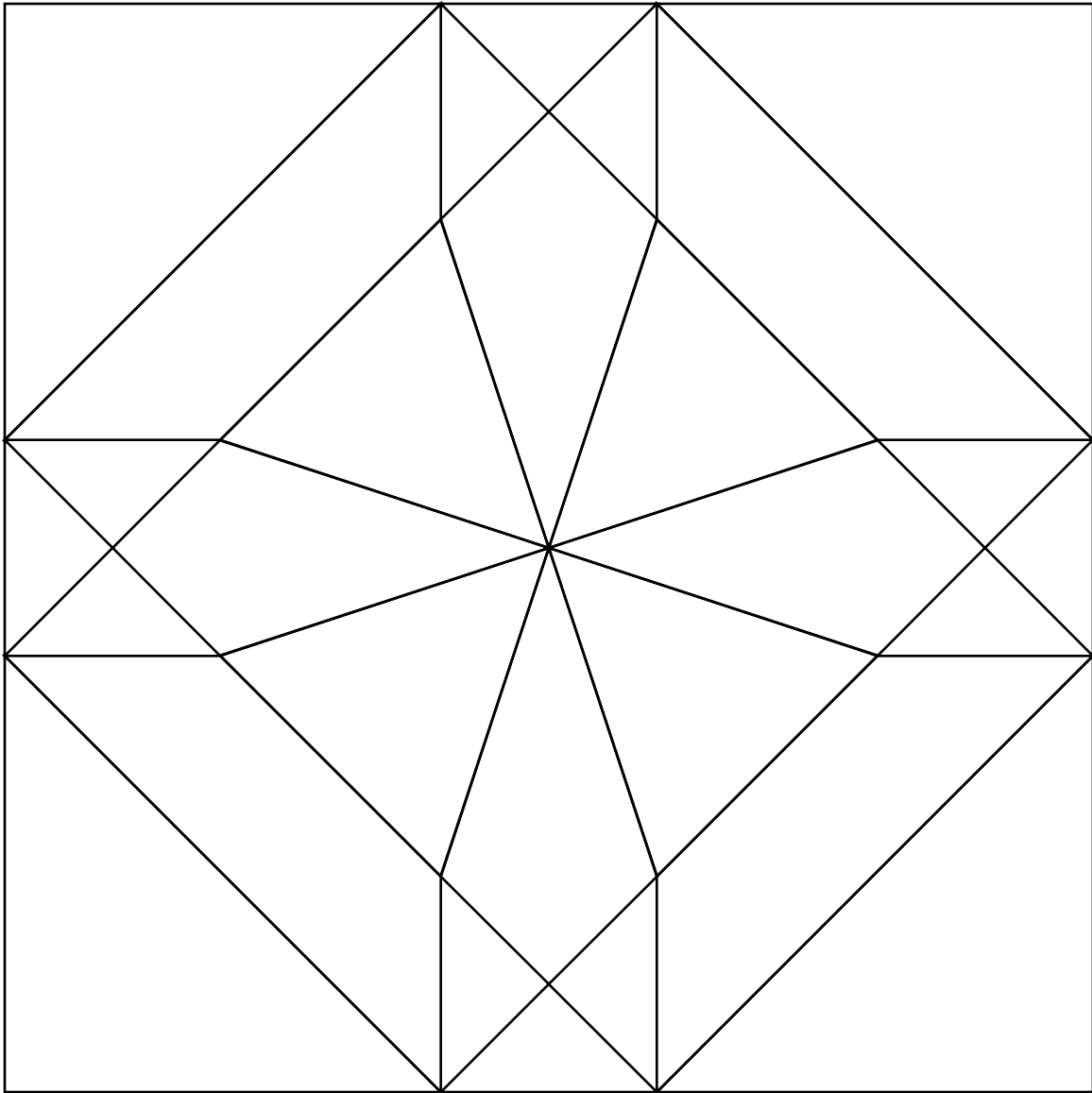
1 inch
2.5cm

Setting Triangle B

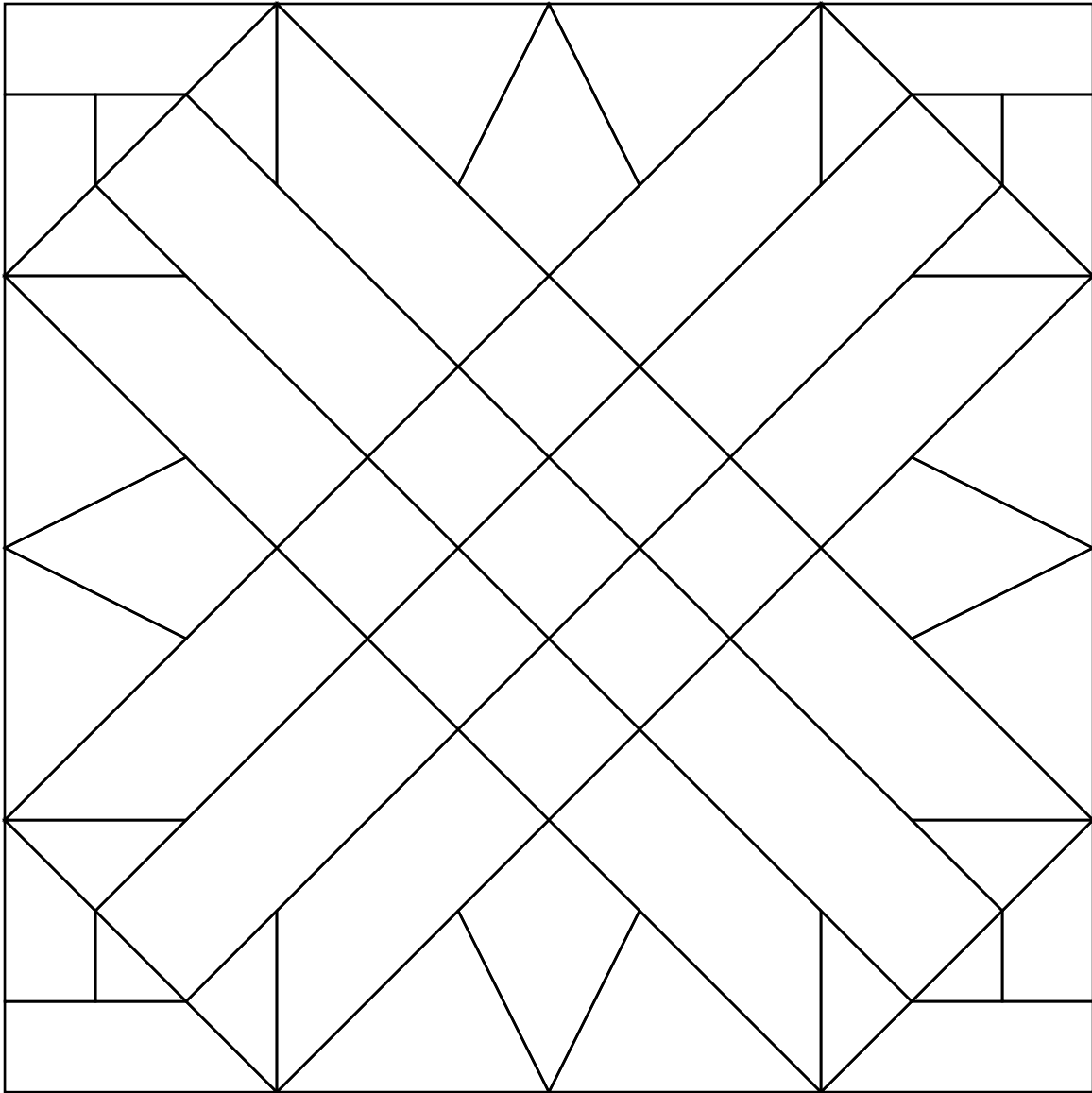


1 inch
2.5cm

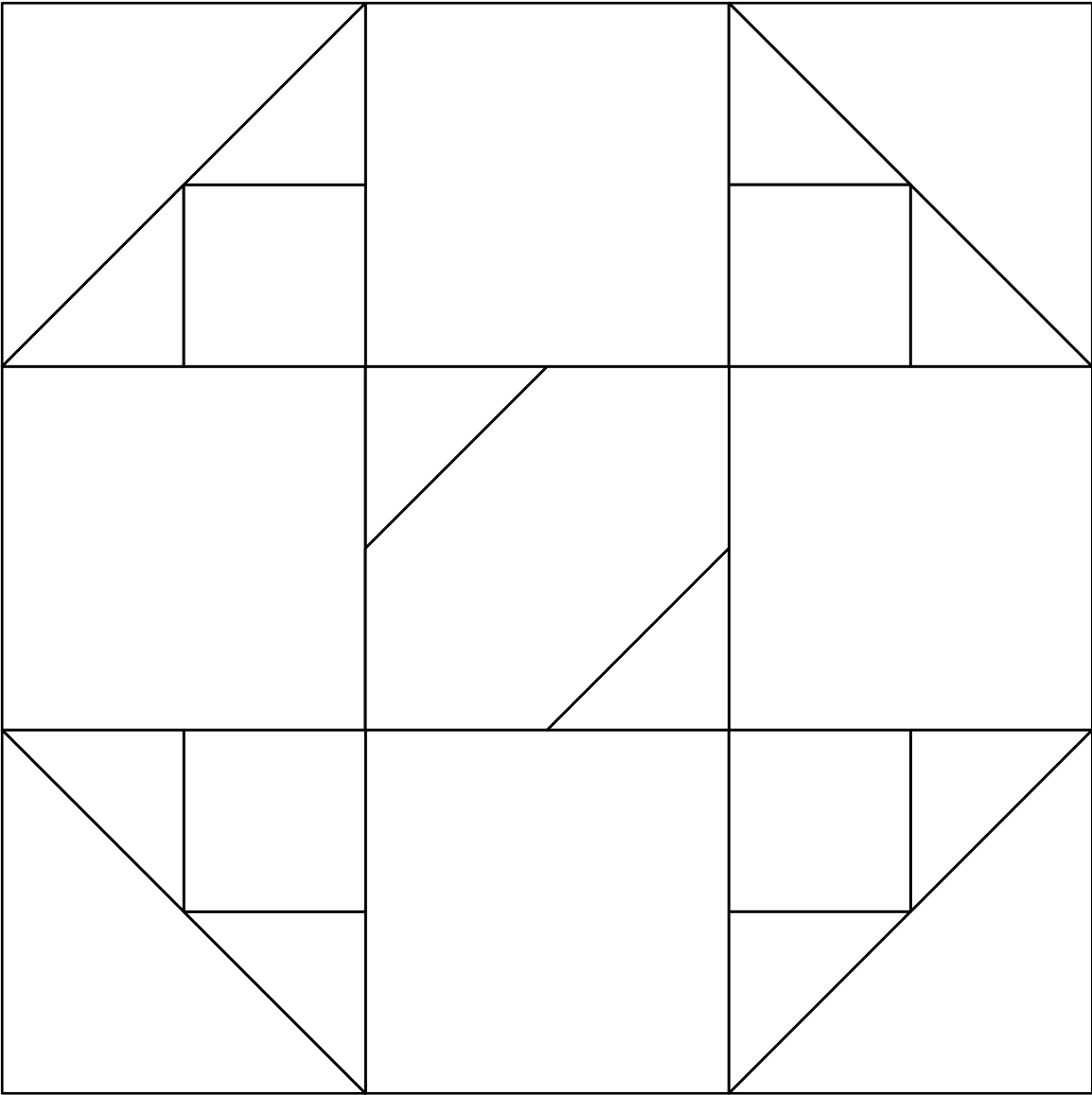
2 *Aimee*



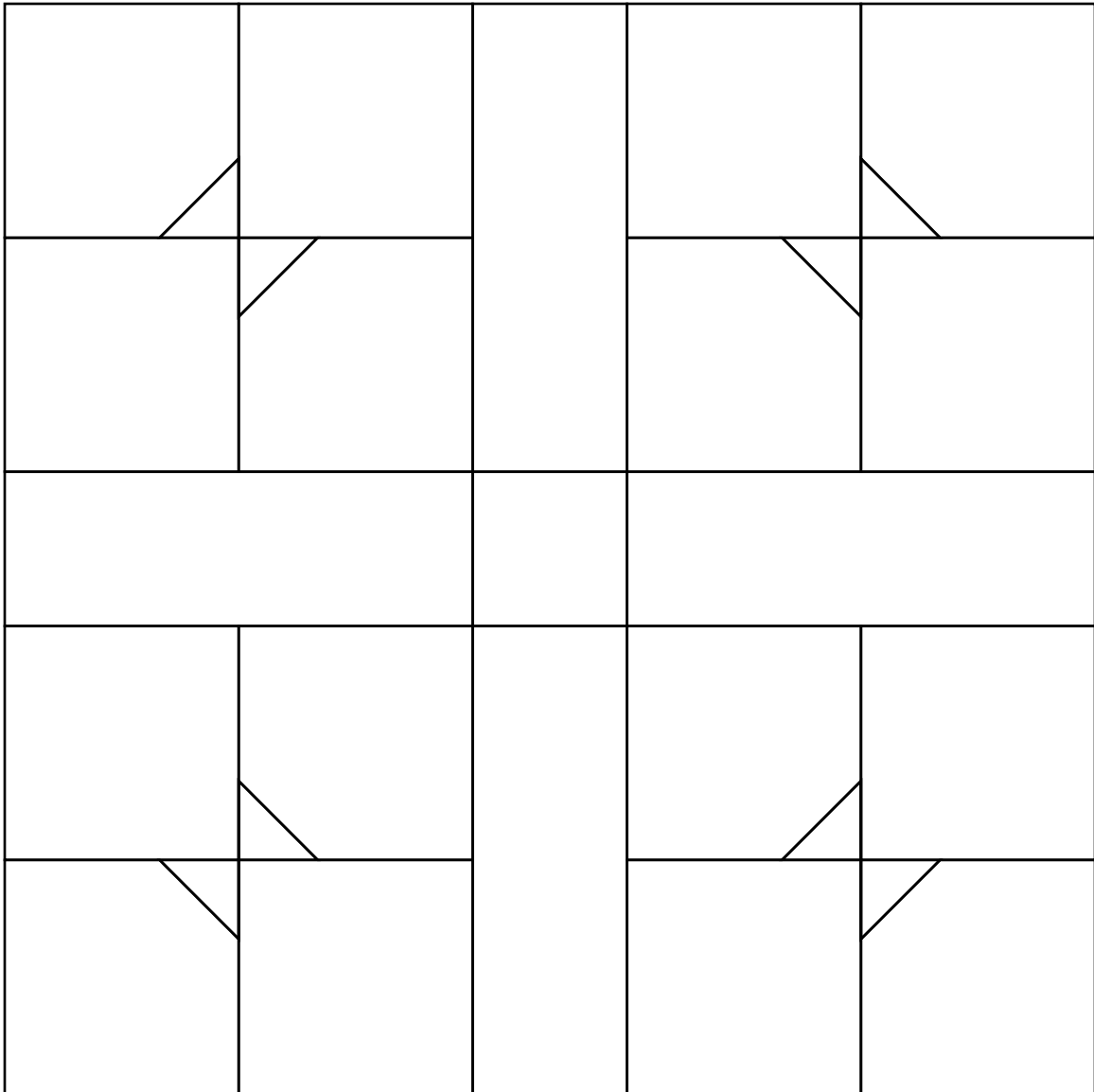
3 *Alice*



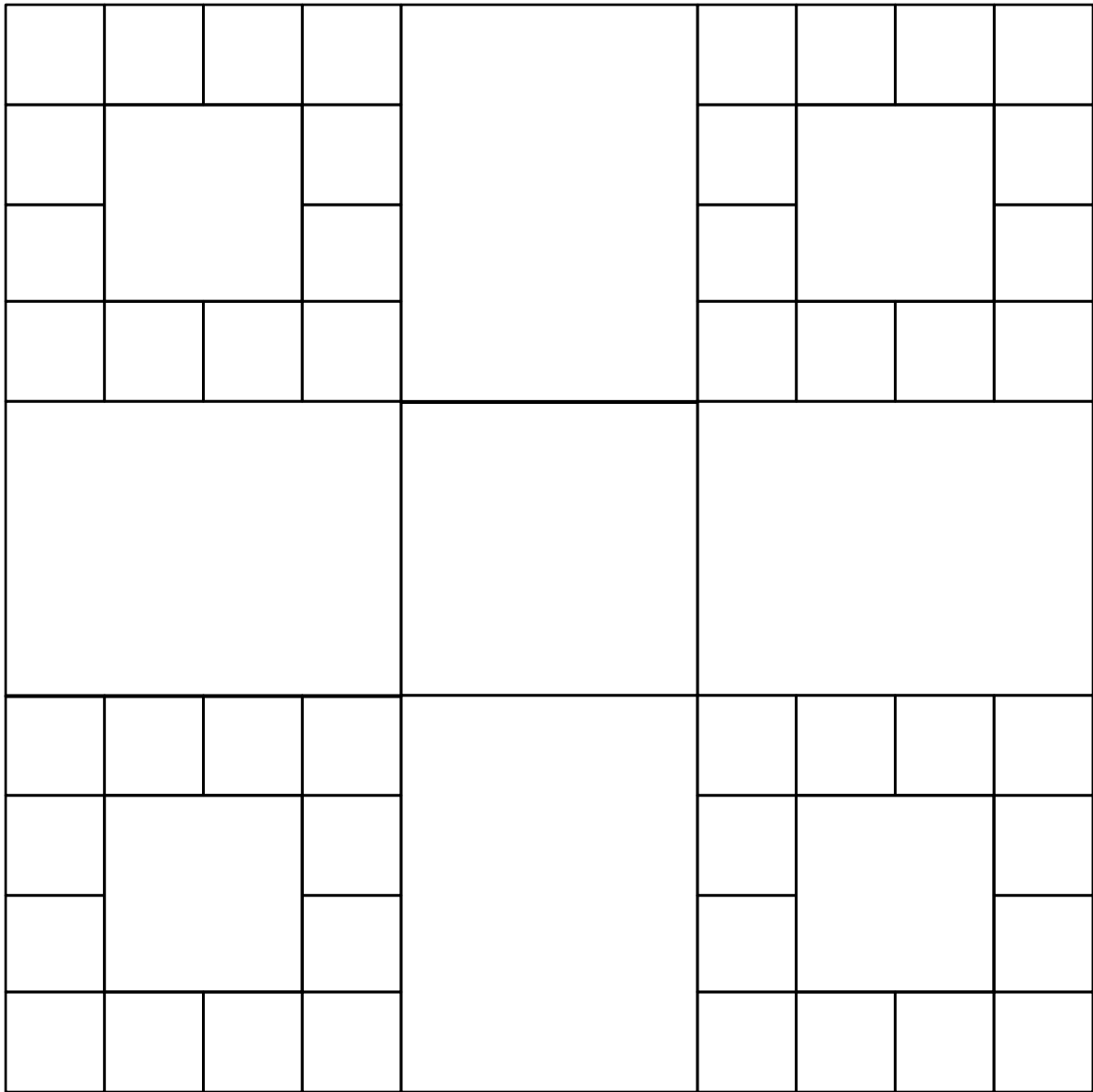
10 *Ava*

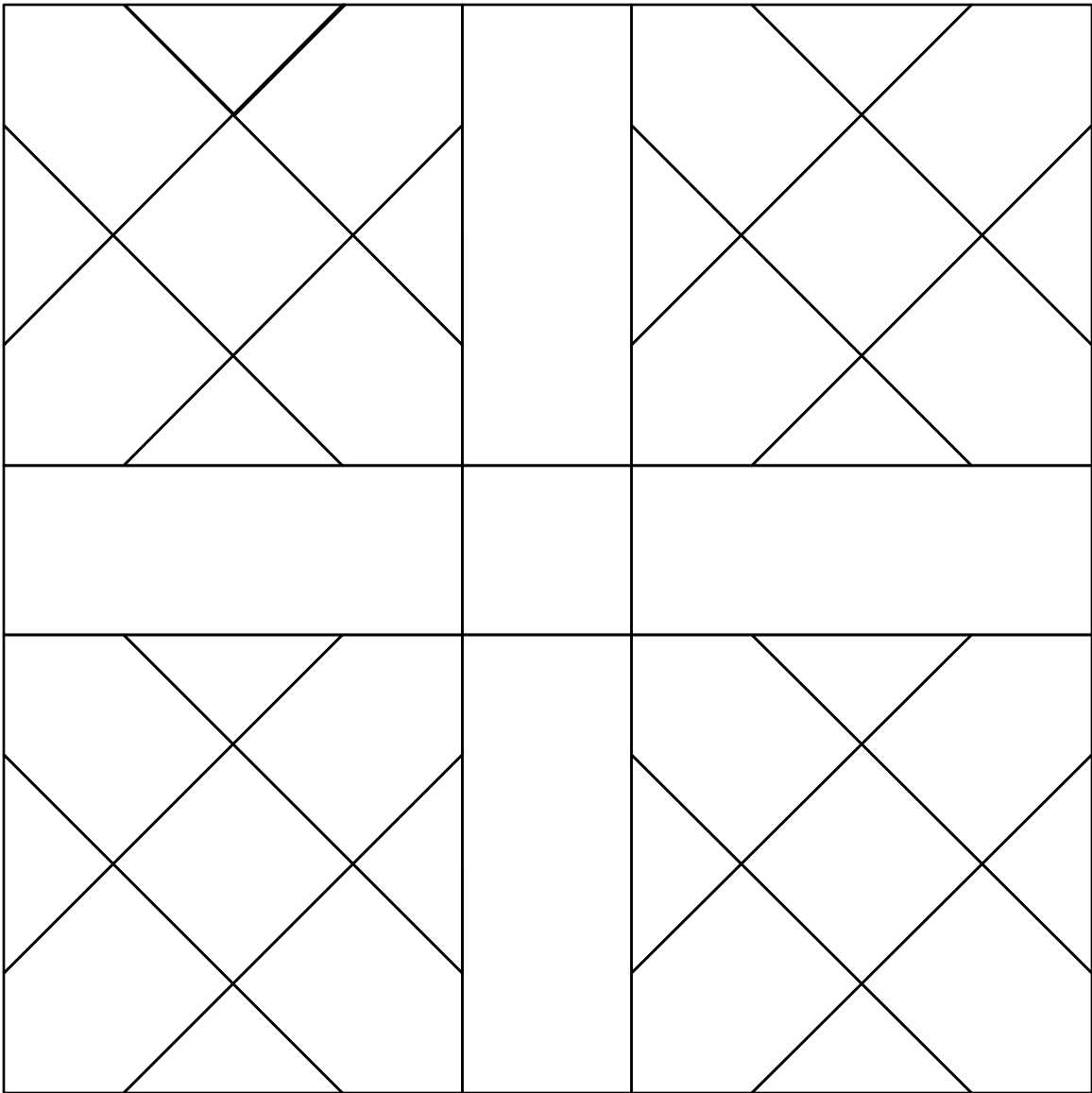


21 *Carrie*

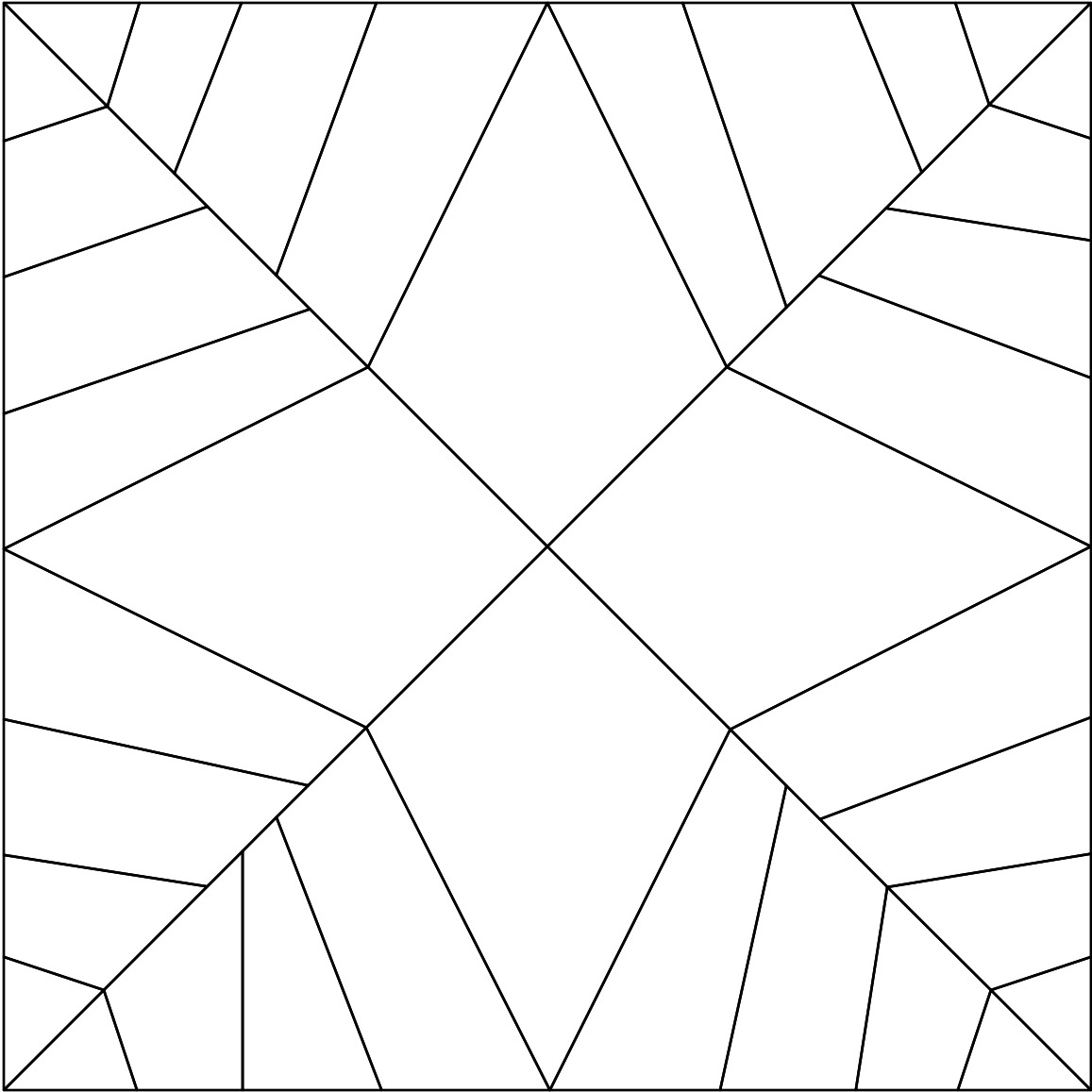


64 *Monette*





89 *Ruby*



Rotary Cutting Instructions

Some of the pieces used to create the blocks in this book can be easily cut using a rotary cutter and ruler, rather than cutting them from the templates. Below are the pieces in each block, and the measurements for those pieces, that you may choose to cut with a rotary cutter. If a block is not included in this list, there are no pieces in that block of a measurement conducive to cutting with a ruler and rotary cutter.

1 ADDIE

Square A: $3\frac{1}{2}$ " x $3\frac{1}{2}$ "

Square B: 2" x 2"

3 ALICE

Triangle D: $1\frac{3}{8}$ " x $1\frac{3}{8}$ "

4 ANN

Triangle E: $1\frac{7}{8}$ " x $1\frac{7}{8}$ "

5 ANNE

Triangle H: $2\frac{5}{8}$ " x $2\frac{5}{8}$ "

6 APRIL

Square A: 2" x 2"

Rectangle B: $1\frac{1}{4}$ " x 2"

Square D: $1\frac{1}{4}$ " x $1\frac{1}{4}$ "

Triangle E: $1\frac{5}{8}$ " x $1\frac{5}{8}$ "

7 AUGUSTA

Triangle C: $1\frac{7}{8}$ " x $1\frac{7}{8}$ "

8 AUNT

Square A: $2\frac{5}{8}$ " x $2\frac{5}{8}$ "

Triangle B: $2\frac{3}{8}$ " x $2\frac{3}{8}$ "

Rectangle C: 2" x $3\frac{1}{2}$ "

Square D: 2" x 2"

9 AUTUMN

Triangle A: $2\frac{7}{8}$ " x $2\frac{7}{8}$ "

Rectangle C: $1\frac{1}{2}$ " x $2\frac{1}{2}$ "

Square D: $1\frac{1}{2}$ " x $1\frac{1}{2}$ "

Triangle F: $1\frac{7}{8}$ " x $1\frac{7}{8}$ "

10 AVA

Square A: $2\frac{1}{2}$ " x $2\frac{1}{2}$ "

Triangle C: $2\frac{7}{8}$ " x $2\frac{7}{8}$ "

Triangle D: $1\frac{7}{8}$ " x $1\frac{7}{8}$ "

Square E: $1\frac{1}{2}$ " x $1\frac{1}{2}$ "

12 BECKY

Rectangle A: $2\frac{1}{2}$ " x $6\frac{1}{2}$ "

Rectangle B: $2\frac{1}{2}$ " x 4"

Rectangle C: $2\frac{1}{2}$ " x $3\frac{1}{2}$ "

Rectangle D: $2\frac{1}{2}$ " x 3"

Rectangle E: $1\frac{1}{2}$ " x $2\frac{1}{2}$ "

Square F: $1\frac{1}{2}$ " x $1\frac{1}{2}$ "

Rectangle G: 1" x $4\frac{1}{2}$ "

13 BELLE

Square A: 2" x 2"

Triangle B: $2\frac{3}{8}$ " x $2\frac{3}{8}$ "

Square C: $2\frac{5}{8}$ " x $2\frac{5}{8}$ "

14 BETTY

Triangle A: $2\frac{3}{8}$ " x $2\frac{3}{8}$ "

Square B: 2" x 2"

Triangle C: $3\frac{7}{8}$ " x $3\frac{7}{8}$ "

16 BONNIE

Square A: $3\frac{1}{2}$ " x $3\frac{1}{2}$ "

Rectangle B: 2" x 5"

Rectangle C: 2" x $3\frac{1}{2}$ "

Square D: 2" x 2"

17 BRIDE

Triangle G: $2\frac{1}{8}$ " x $2\frac{1}{8}$ "

Triangle J: $1\frac{5}{8}$ " x $1\frac{5}{8}$ "

18 CAROL

Square A: $4\frac{3}{4}$ " x $4\frac{3}{4}$ "

Triangle B: $1\frac{7}{8}$ " x $1\frac{7}{8}$ "

19 CAROLINA

Triangle C: $2\frac{3}{8}$ " x $2\frac{3}{8}$ "

20 CAROLINE

Triangle B: $2\frac{3}{8}$ " x $2\frac{3}{8}$ "

22 CAT

Square A: $2\frac{1}{2}$ " x $2\frac{1}{2}$ "

Triangle B: $2\frac{7}{8}$ " x $2\frac{7}{8}$ "

Triangle C: $1\frac{7}{8}$ " x $1\frac{7}{8}$ "

24 CORAL

Rectangle A: 2" x $3\frac{1}{2}$ "

Square B: 2" x 2"

Triangle C: $2\frac{3}{8}$ " x $2\frac{3}{8}$ "

Rectangle D: $1\frac{1}{4}$ " x 2"

25 CRYSTAL

Square A: 2" x 2"

27 DINAH

Triangle A: $3\frac{1}{8}$ " x $3\frac{1}{8}$ "

Triangle F: 2" x 2"

28 DOLLY

Square A: $2\frac{1}{2}$ " x $2\frac{1}{2}$ "
Triangle C: $1\frac{7}{8}$ " x $1\frac{7}{8}$ "

29 DORIS

Triangle C: $1\frac{7}{8}$ " x $1\frac{7}{8}$ "
Triangle F: $2\frac{7}{8}$ " x $2\frac{7}{8}$ "

30 EM

Square A: $1\frac{1}{4}$ " x $1\frac{1}{4}$ "
Triangle B: $1\frac{5}{8}$ " x $1\frac{5}{8}$ "

31 EVA

Triangle B: $2\frac{3}{8}$ " x $2\frac{3}{8}$ "

32 FANNY

Rectangle A: $1\frac{1}{4}$ " x 2"
Square B: $1\frac{1}{4}$ " x $1\frac{1}{4}$ "
Triangle C: $2\frac{3}{8}$ " x $2\frac{3}{8}$ "
Triangle E: $1\frac{5}{8}$ " x $1\frac{5}{8}$ "
Square F: 2" x 2"

33 FARMER'S WIFE

Rectangle A: $1\frac{1}{4}$ " x $2\frac{3}{4}$ "
Rectangle C: $1\frac{1}{4}$ " x 2"
Triangle E: $1\frac{5}{8}$ " x $1\frac{5}{8}$ "
Square F: 2" x 2"

34 FERN

Square C: $1\frac{1}{4}$ " x $1\frac{1}{4}$ "
Triangle D: $1\frac{5}{8}$ " x $1\frac{5}{8}$ "

36 GENEVA

Triangle A: $1\frac{7}{8}$ " x $1\frac{7}{8}$ "

38 GOLDA

Triangle C: $2\frac{5}{8}$ " x $2\frac{5}{8}$ "

39 GRANDMA

Triangle A: $2\frac{7}{8}$ " x $2\frac{7}{8}$ "

40 GRANDMOTHER

Triangle A: $2\frac{7}{8}$ " x $2\frac{7}{8}$ "
Square B: $1\frac{1}{2}$ " x $1\frac{1}{2}$ "
Triangle C: $1\frac{7}{8}$ " x $1\frac{7}{8}$ "
Triangle G: $6\frac{7}{8}$ " x $6\frac{7}{8}$ "

43 HOPE

Triangle A: $3\frac{1}{4}$ " x $3\frac{1}{4}$ "

44 IRIS

Triangle E: $2\frac{3}{8}$ " x $2\frac{3}{8}$ "

47 JOY

Triangle C: $1\frac{7}{8}$ " x $1\frac{7}{8}$ "

48 JUDY

Square A: $1\frac{1}{2}$ " x $1\frac{1}{2}$ "
Triangle B: $2\frac{7}{8}$ " x $2\frac{7}{8}$ "

49 KATHERINE

Triangle B: $2\frac{3}{8}$ " x $2\frac{3}{8}$ "

50 LADY

Square A: $3\frac{1}{2}$ " x $3\frac{1}{2}$ "
Rectangle B: 2" x $3\frac{1}{2}$ "
Square E: $1\frac{1}{4}$ " x $1\frac{1}{4}$ "
Triangle F: $1\frac{5}{8}$ " x $1\frac{5}{8}$ "

52 LOLA

Triangle D: $3\frac{7}{8}$ " x $3\frac{7}{8}$ "

53 LUCY

Square A: $2\frac{1}{2}$ " x $2\frac{1}{2}$ "
Triangle B: $2\frac{7}{8}$ " x $2\frac{7}{8}$ "
Triangle C: $1\frac{7}{8}$ " x $1\frac{7}{8}$ "

54 MAGNOLIA

Square A: $1\frac{1}{4}$ " x $1\frac{1}{4}$ "
Square B: 2" x 2"
Square C: $3\frac{1}{2}$ " x $3\frac{1}{2}$ "

56 MARCELLA

Triangle A: $3\frac{1}{8}$ " x $3\frac{1}{8}$ "

57 MARGARET

Triangle A: $2\frac{3}{8}$ " x $2\frac{3}{8}$ "

58 MARTHA

Square A: 2" x 2"
Triangle C: $2\frac{3}{8}$ " x $2\frac{3}{8}$ "

60 MARY GRAY

Triangle A: $1\frac{1}{2}$ " x $1\frac{1}{2}$ "

62 MILLY

Triangle A: $2\frac{3}{8}$ " x $2\frac{3}{8}$ "

63 MOLLIE

Square A: $2\frac{1}{2}$ " x $2\frac{1}{2}$ "
Rectangle B: 1" x $2\frac{1}{2}$ "
Triangle F: $1\frac{5}{8}$ " x $1\frac{5}{8}$ "
Triangle H: $2\frac{7}{8}$ " x $2\frac{7}{8}$ "

65 MOTHER

Square E: $2\frac{1}{4}$ " x $2\frac{1}{4}$ "
Triangle H: $1\frac{3}{8}$ " x $1\frac{3}{8}$ "

67 MRS. BROWN

Triangle B: $1\frac{7}{8}$ " x $1\frac{7}{8}$ "
Triangle C: $2\frac{7}{8}$ " x $2\frac{7}{8}$ "

68 MRS. FAY

Square A: $2\frac{1}{2}$ " x $2\frac{1}{2}$ "
Square D: $1\frac{1}{2}$ " x $1\frac{1}{2}$ "
Triangle E: $1\frac{7}{8}$ " x $1\frac{7}{8}$ "

70 MRS. LLOYD

Square A: $1\frac{1}{4}$ " x $1\frac{1}{4}$ "
Triangle B: $2\frac{3}{8}$ " x $2\frac{3}{8}$ "
Square C: $1\frac{1}{2}$ " x $1\frac{1}{2}$ "

71 MRS. MORGAN

Triangle A: $1\frac{7}{8}$ " x $1\frac{7}{8}$ "

72 MRS. SMITH

Square A: $1\frac{1}{4}$ " x $1\frac{1}{4}$ "
Rectangle B: $1\frac{1}{4}$ " x 2"
Triangle C: $1\frac{5}{8}$ " x $1\frac{5}{8}$ "
Square D: 2" x 2"

73 MRS. TAFT

Triangle C: $2\frac{3}{8}$ " x $2\frac{3}{8}$ "

75 NAN

Triangle A: $1\frac{7}{8}$ " x $1\frac{7}{8}$ "

76 NANCY

Square A: $2\frac{5}{8}$ " x $2\frac{5}{8}$ "
Triangle E: $2\frac{3}{8}$ " x $2\frac{3}{8}$ "

77 NELLIE

Square A: 2" x 2"
Rectangle B: $1\frac{1}{4}$ " x 2"
Square C: $1\frac{1}{4}$ " x $1\frac{1}{4}$ "

78 OLD MAID

Triangle B: $2\frac{3}{8}$ " x $2\frac{3}{8}$ "

79 PATIENCE

Square A: $2\frac{1}{2}$ " x $2\frac{1}{2}$ "

80 PATRICIA

Square A: $2\frac{1}{2}$ " x $2\frac{1}{2}$ "
Triangle B: $2\frac{7}{8}$ " x $2\frac{7}{8}$ "
Rectangle C: $1\frac{1}{2}$ " x $2\frac{1}{2}$ "

81 PEONY

Triangle A: $1\frac{5}{8}$ " x $1\frac{5}{8}$ "
Square B: $1\frac{1}{4}$ " x $1\frac{1}{4}$ "
Triangle C: $2\frac{3}{8}$ " x $2\frac{3}{8}$ "

82 PHARLEMIA

Triangle B: $2\frac{7}{8}$ " x $2\frac{7}{8}$ "
Triangle D: $1\frac{7}{8}$ " x $1\frac{7}{8}$ "

85 PRIMROSE

Square B: 2" x 2"
Triangle C: $2\frac{3}{8}$ " x $2\frac{3}{8}$ "
Triangle D: $1\frac{5}{8}$ " x $1\frac{5}{8}$ "

86 PRISCILLA

Triangle C: $1\frac{7}{8}$ " x $1\frac{7}{8}$ "

88 ROSEMARY

Square B: $1\frac{5}{8}$ " x $1\frac{5}{8}$ "

91 SARAH

Triangle A: $2\frac{3}{8}$ " x $2\frac{3}{8}$ "
Square B: 2" x 2"

92 SONNIE

Triangle E: $1\frac{7}{8}$ " x $1\frac{7}{8}$ "

94 SUSANNAH

Square B: 2" x 2"
Triangle C: $2\frac{3}{8}$ " x $2\frac{3}{8}$ "

96 TIRZAH

Square A: $2\frac{1}{2}$ " x $2\frac{1}{2}$ "
Rectangle B: 1" x $2\frac{1}{2}$ "
Rectangle C: $1\frac{1}{2}$ " x $2\frac{1}{2}$ "

97 TRACY

Triangle B: $2\frac{3}{8}$ " x $2\frac{3}{8}$ "
Square D: $1\frac{1}{4}$ " x $1\frac{1}{4}$ "

98 VIOLA

Square A: $1\frac{1}{4}$ " x $1\frac{1}{4}$ "

SETTING TRIANGLE A

$6\frac{7}{8}$ " x $6\frac{7}{8}$ "

SETTING TRIANGLE B

$5\frac{1}{8}$ " x $5\frac{1}{8}$ "